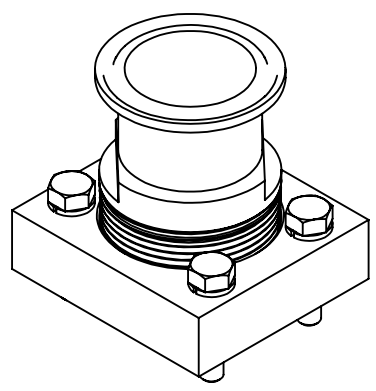


% & ' ( ) \* + ,

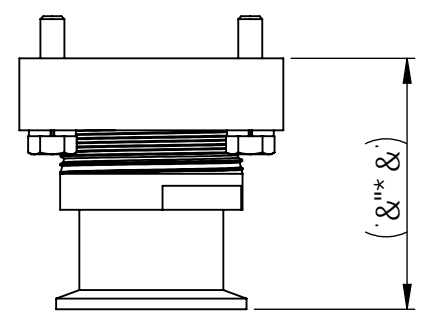
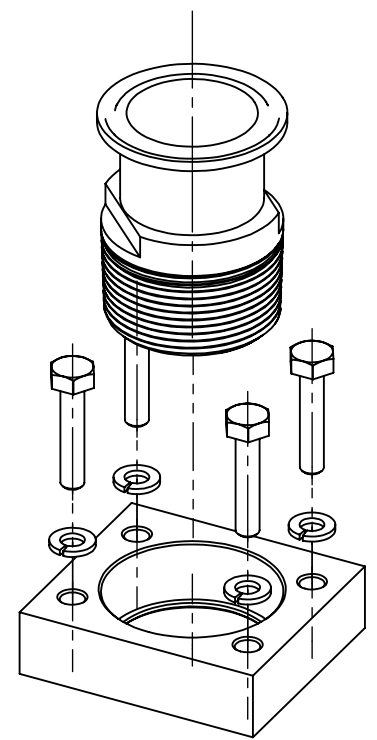
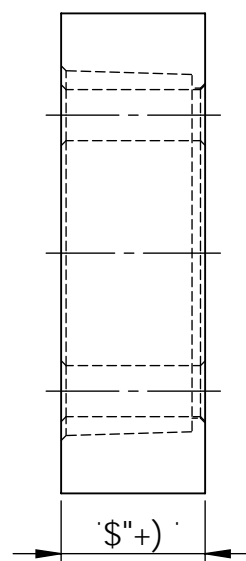
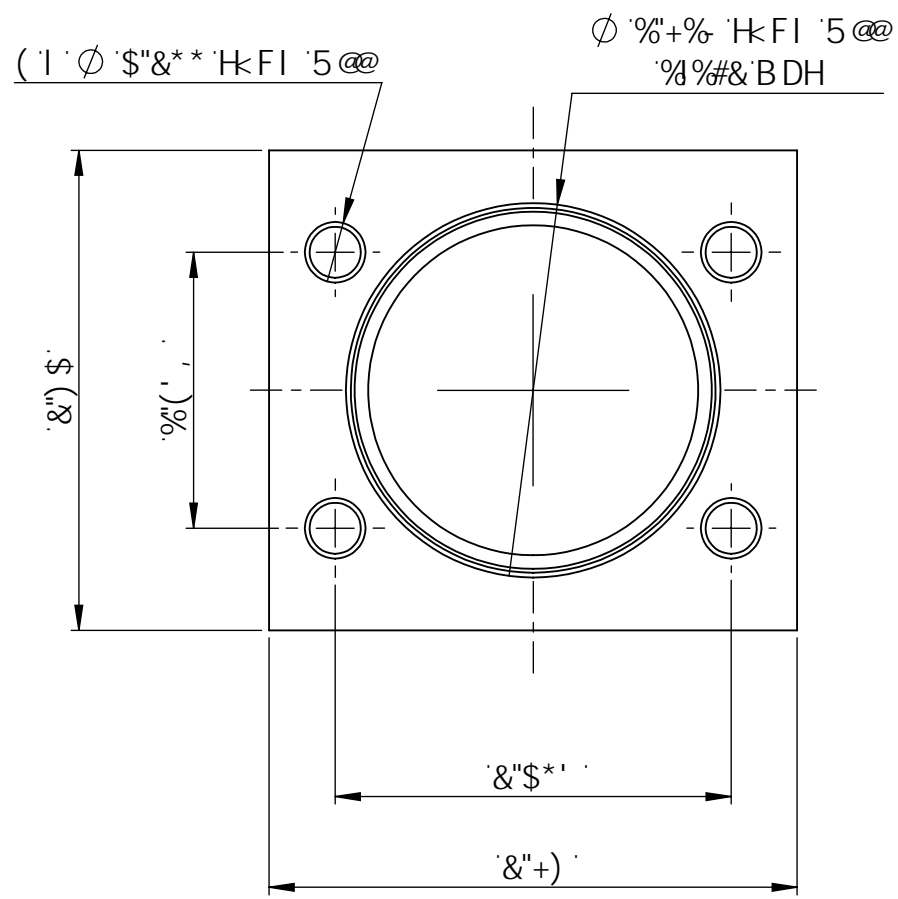
5

5



6

6



7

7

8

8

BC H9G  
 %" A 5 H9F 5@'GH99@  
 &" : B €<. BCB9  
 ' " 8 96I FF '5@@G<5FD'98; 9G

DFC DF-95FM5B8 7CB: -89BH5@  
 Hk-9-B: CFA 5HC B 7 C B H5-B98 -B Hk-6  
 8F5K -B: 6Hk-9GC @DFC D9F HMC:  
 : cbbY UbX 9b[ jYY jb[ '5G' 5BM  
 F9DFC.8I 7 HC B -B D5FHCF 5G5 K <C @  
 K Hk-CI Hk-9K F H9B D9FA 6GC B C:  
 : cbbY UbX 9b[ jYY jb[ '5G-6  
 DFC < 6H98\*

		I B @9GC Hk 9FK 69 GD97 ± 98.	B5A 9	85HP	M i f8 mbc "Wc a H# @9.
		8-A 9BGC BG5F9-B 7 <9G HC @9F5B7 9G : F57 HC B5 @± 5B: I @5F. A 57 < ± "" 69B8' ± Hk C D @57 9897-A 5@ ± Hk F99D @57 9897-A 5@ ±	8F5K B	%&#&+#&!	
		B H9F DF 9H: 9CA 9H 7 HC @9F5B7-B: D9F.	7 <97?98		GA9 8K ; ""BC" <b>6</b> MB %\$\$\$% <b>5</b> F9J
		A 5H9F-5@	9B: 5DDF"		
		-B 6<	A: : 5DDF"		G7 5 @9: %% K 9± <H' G<99H%C: %
B9LH5GQM	I 98 CB		E "5"		
		5DD@7 5HC B	7CA A 9BHG		
		8C BCHG7 5 @98F5K B:			

% & ' ( ) \* + ,