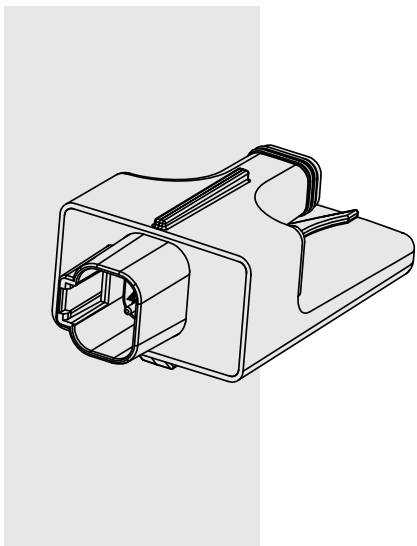


EVDR-0101A Single Plug-In Style Valve Driver



DIAGNOSTIC FEATURES

Any supply voltage below 8.5 Vdc causes the controller to default to the valve-off mode.

The driver output drops and holds at the inactive stand-by condition. Any short or open circuit condition is automatically detected as an error.

When the fault is corrected, the controller returns to standard operation.

MULTIPLE PERSONALITIES

The EVDR controller is available in multiple configurations (personalities) to suit the needs of specialized applications. Visit www.hydraforce.com and choose the one that best fits your needs. All are configured with *HF-Impulse* software.

EVDR-0101A - General Purpose
ETDR-0101A - Transmission Apps

DESCRIPTION

A compact, plug-in style, microprocessor-based valve driver designed for use in hydraulic proportional valve applications. The **EVDR-0101A** drives a single coil to a user-defined metering profile using an independent signal. The profile provides either a straight-line or multi-sloped output that you configure with *HF-Impulse*: an easy-to-use software tool available as a free download at www.hydraforce.com/electronics. An output LED indicator is located on the front (see *Dimensions and Mounting* on reverse).

OPERATION

The controller accepts an input from commonly available analog or digital operator interface devices (joystick, potentiometer, sensors, etc.) The input signal drives the output current, enabling accurate and proportional metering of the hydraulic valve. As the input changes, the output follows the defined metering profile, allowing optimum system response. Built-in diagnostics detect fault conditions that automatically deactivate the output. The controller has an LED output indicator.

RATINGS

Operating Temperature: -40 to 85 °C (-40 to 185 °F)

Molded Enclosure Dimensions: 46.6 mm (W) x 88.3 mm (H) x 33.9 mm (D);
 1.84 in. (W) x 3.48 in. (H) x 1.34 in. (D)

Mating Connectors: Deutsch DT06-4S and DT04-2P

Power Requirements: 9 to 32 Vdc

Control Inputs - Analog:

Voltage: 0 to 5 or 0 to 10 Vdc

Current: 0 to 20 or 4 to 20 mA

Resistive: 0 to 6000 ohms

Temperature: ERT120 (HydraForce temperature sensor)

Control Inputs - Digital:

Switch: Switch to battery, switch to open, switch to ground

PWM: 0 to 100%, 50 to 4000 Hz

Frequency: 50 to 10 000 Hz

Control Output:

Current: 50 to 2000 mA (up to 3000 mA for a duration of one second)

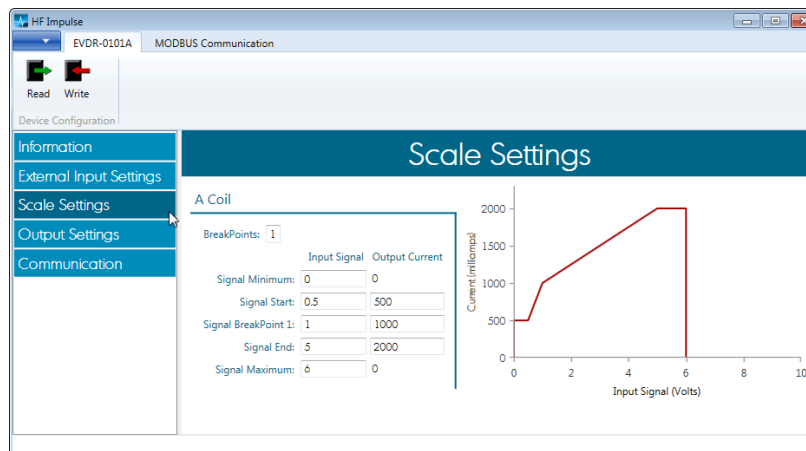
PWM: 0 to 100% duty cycle; 40 to 400 Hz

Output Indicator: LED

Sealing: IP69K rated

Weight: 0.072 kg (0.159 lb) without connectors

CONFIGURATION EXAMPLE

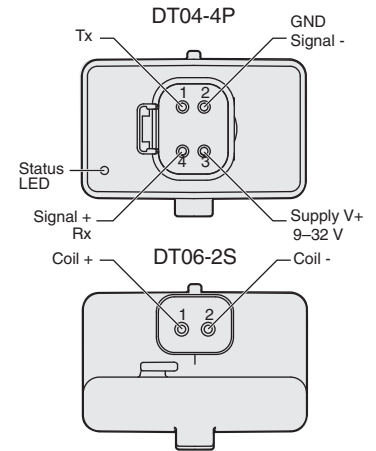


General Purpose

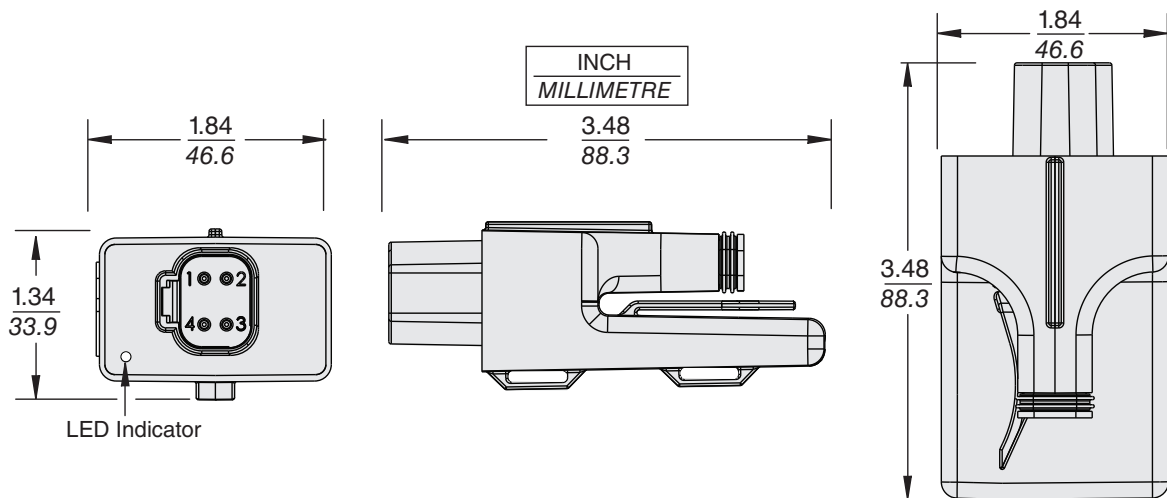
EVDR-0101A

CONNECTIONS & WIRING

Description	Interface	Pin	Mating Connector
Battery, 9-32 V	Power + Power -	3 2	DT06-4S
Serial TTL and Voltage/ Current, Resistance Input	Serial in	4	
Serial TTL (For Configuration Only)	Serial out	1	
Solenoid	Sol A + Sol A -	1 2	DT04-2P



DIMENSIONS & MOUNTING



TO ORDER

Single Valve Driver Model EVDR-0101A - Part No. **4204800** (NOTE: If purchasing the EVDR-0101A for the first time, it is suggested to purchase both the Configuration Cable P/N 4000285 and the Monitoring Cable P/N 4000286.)

EVDR-0101A Configuration Software - *HF-Impulse* - free download from www.hydraforce.com/electronics

Mating Connector Kit: DT06-4S - Part No. **4001953**

Mating Connector Kit: DT04-2P - Part No. **4001958** (For remote installation)

Configuration Cable: Part No. **4000285**

Monitoring Cable: Part No. **4000286** (For testing and bench operation)

Temperature Sensor: ERT 120 (Part No. **4206200**); Mating Connector Kit for ERT 120 Temperature Sensor: Deutsch Model DTM06-2S (HF Part No. **4001970**)