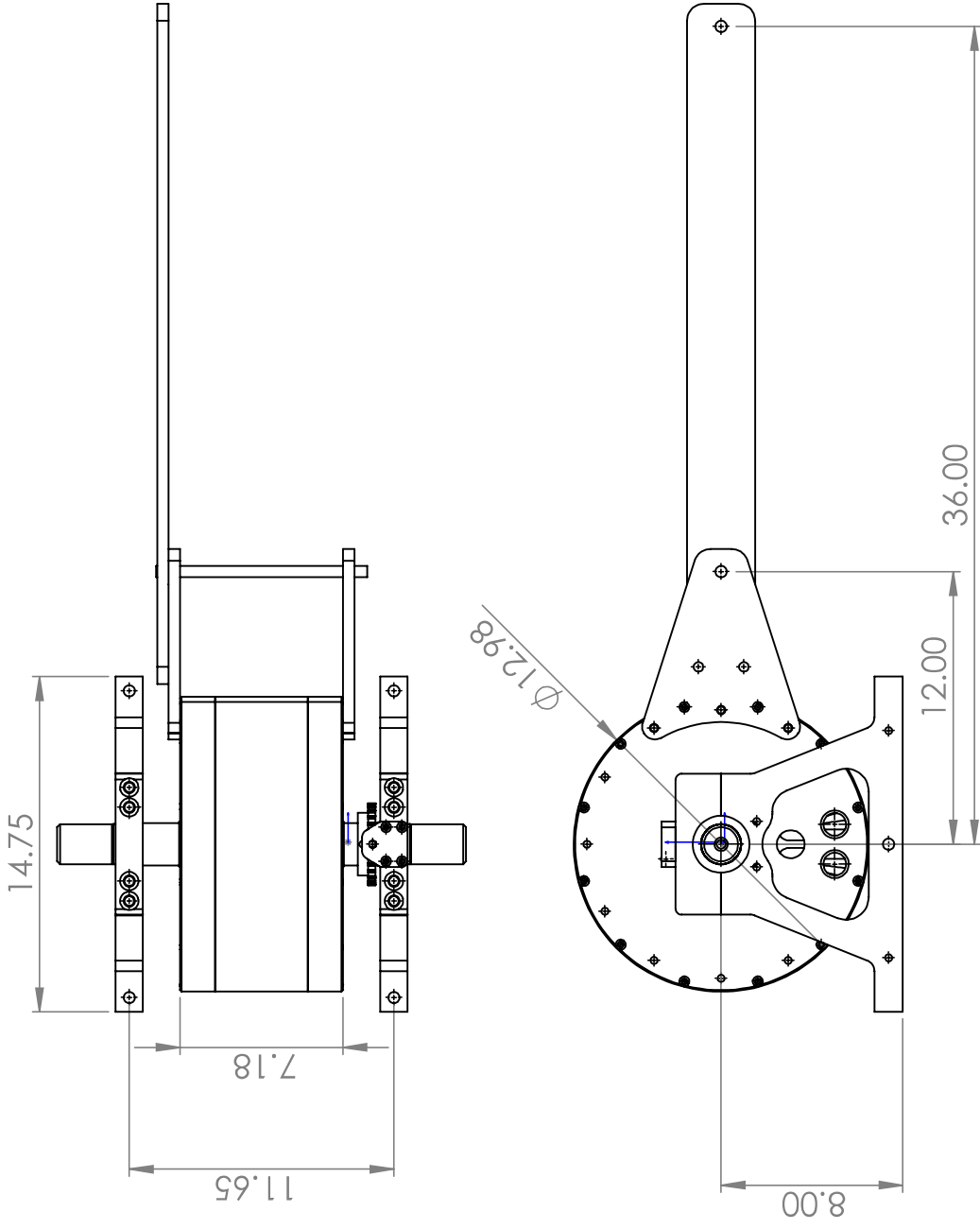


2

1

B

B



A

A

YourDyno.com		DATE
TITLE: 13 DYNNO BRAKE ASS.		REV
SIZE A	DWG. NO.	REV
SCALE: 1:8		SHEET 1 OF 1
DRAWN	NAME	DATE
CHECKED		
ENG APPR.		
MFG APPR.		
Q.A.	COMMENTS:	
UNLESS OTHERWISE SPECIFIED: DIMENSIONS ARE IN INCHES TOLERANCES: FRACTIONAL: ± ANGULAR: MACH ± BEND ± TWO PLACE DECIMAL ± THREE PLACE DECIMAL ±		
INTERPRET GEOMETRIC TOLERANCING PER:		
MATERIAL		
FINISH		
NEXT ASSY	USED ON	
APPLICATION		DO NOT SCALE DRAWING

PROPRIETARY AND CONFIDENTIAL
 THE INFORMATION CONTAINED IN THIS DRAWING IS THE SOLE PROPERTY OF YOURDYNNO.COM. ANY REPRODUCTION IN PART OR AS A WHOLE WITHOUT THE WRITTEN PERMISSION OF YOURDYNNO.COM IS PROHIBITED.

2

1